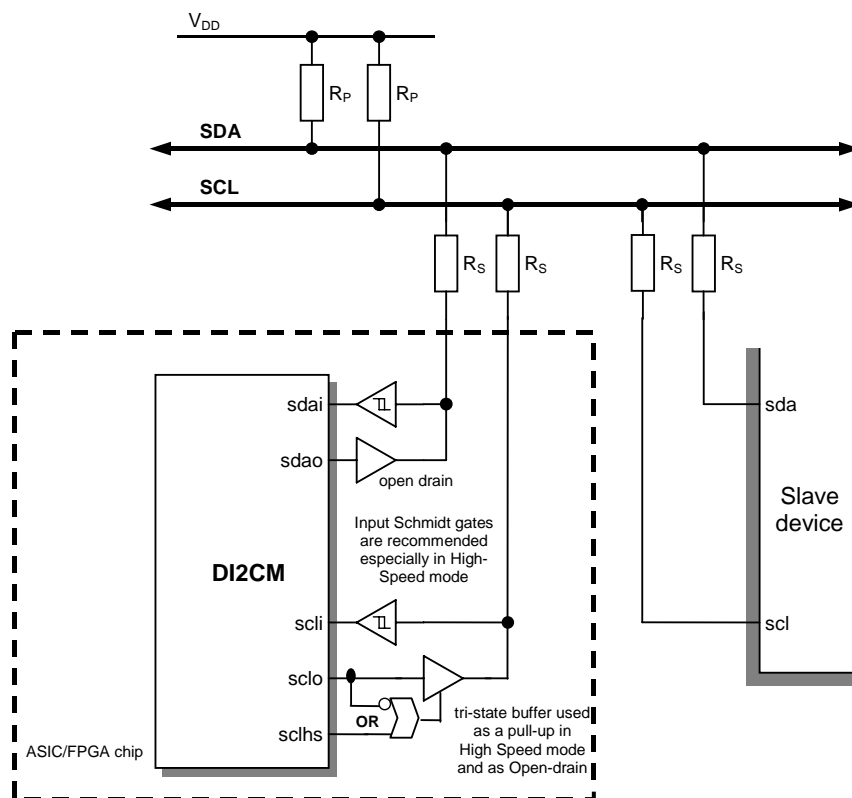


Connection DI2CM Core to global I2C bus

This document describes how to connect an DI2CM Core into global I2C Bus, in systems operating in I2C Standard/Fast mode as well as in I2C High Speed Mode.



Input Schmitt gates are recommended especially in High-Speed I2C mode. They prevent incidental erroneous behavior caused by slow rising edges on input SCL and SDA lines.