

DI2CSB

I²C Bus Interface Slave - Base version

v. 3.00

OVERVIEW

I²C is a two-wire, bi-directional serial bus, which provides a simple and efficient method of data transmission over a short distance, between many devices. The DI2CSB provides an interface between a passive target device e.g. memory, LCD display, pressure sensors etc. and an I2C bus. It can work as a slave receiver or transmitter, depending on working mode, determined by a master device. Very simple interface, composed with the read, write and data signals, allows easy connection with the target devices. The core doesn't require programming and is ready to work after power-up/reset. The read, write, burst read, burst write and repeated start transmissions, are automatically recognized by the core. The core incorporates all features required by I²C specification. The DI2CSB supports the following transmission modes: Standard, Fast and High Speed.

KEY FEATURES

- Conforms to v.3.0 of the I²C specification
- Slave operation
 - *Slave transmitter*
 - *Slave receiver*
- Supports 3 transmission speed modes
 - *Standard (up to 100 kb/s)*
 - *Fast (up to 400 kb/s)*
 - *Fast Plus (up to 1 Mb/s)*
 - *High Speed (up to 3,4 Mb/s)*
- Allows operation from a wide range of input clock frequencies

- Support for reads, writes, burst reads, burst writes, and repeated start
- 7-bit addressing
- No programming required
- Simple interface allows easy connection with target device e.g. memory, LCD display, pressure sensors etc.
- Fully synthesizable
- Static synchronous design with positive edge clocking and synchronous reset
- No internal tri-states
- Scan test ready

APPLICATIONS

- Embedded microprocessor boards
- Consumer and professional audio/video
- Home and automotive radio
- Low-power applications
- Communication systems
- Cost-effective reliable automotive systems

DELIVERABLES

- ◆ Source code:
 - VHDL Source Code or/and
 - VERILOG Source Code or/and
 - Encrypted, or plain text EDIF netlist
- ◆ VHDL & VERILOG test bench environment
 - Active-HDL automatic simulation macros
 - ModelSim automatic simulation macros
 - Tests with reference responses
- ◆ Technical documentation
 - Installation notes
 - HDL core specification
 - Datasheet
- ◆ Synthesis scripts
- ◆ Example application

- ◆ Technical support
 - IP Core implementation support
 - 3 months maintenance
 - Delivery the IP Core updates, minor and major versions changes
 - Delivery the documentation updates
 - Phone & email support

LICENSING

Comprehensible and clearly defined licensing methods, without royalty-per-chip fees, make using of IP Core easy and simple.

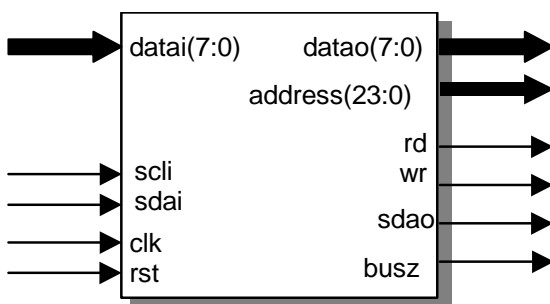
Single Site license option – it is dedicated for small and middle sized companies, running their business at one location.

Multi Sites license option – it is dedicated for corporate customers, running their business at several places. Licensed product can be used in selected company branches. In all cases, number of IP Core instantiation within a project and number of manufactured chips are unlimited. The license is royalty-per-chip free. There is no restrictions regarding the time of use.

There are two formats of delivered IP Core

- VHDL, Verilog RTL synthesizable source code called HDL Source
- FPGA EDIF/NGO/NGD/QXP/VQM called Netlist

SYMBOL



PINS DESCRIPTION

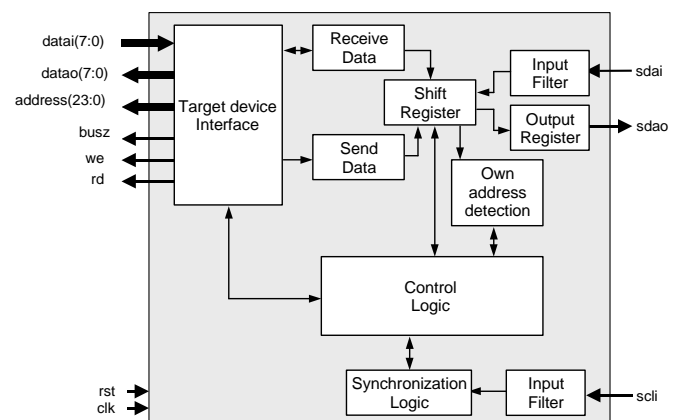
PIN	TYPE	DESCRIPTION
clk	input	Global clock
rst	input	Global reset
dataai(7:0)	input	Data bus from target device

scli	input	I ² C bus clock line (input)
sdai	input	I ² C bus data line (input)
datao(7:0)	output	Data bus to target device
address(23:0)	output	Address of accessed register
busz	output	Turns datao into Z state
wr	output	Write strobe for target device
rd	output	Read strobe for target device
sdao	output	I ² C bus data line (output)

BLOCK DIAGRAM

The figure below shows the DI2CSB IP Core block diagram.

Target device Interface – Performs the interface functions between DI2CSB internal blocks and target device. Allows easy connection of the core with passive devices e.g. memory, LCD display, pressure sensors, I/O devices etc.



Control Logic – Manages execution of all commands sent via interface. Synchronizes internal data flow.

Shift Register – Controls SDA line, performs data and address shifts, during the data transmission and reception.

Input Filter – Performs spike filtering.

Synchronization Logic – Synchronizes data and address shifts, during the data transmission and reception. SCL spikes are filtered by this unit.

PERFORMANCE

The following table gives a survey about the Core area and performance in the XILINX® devices after Place & Route (all key features have been included):

Device	Speed grade	Slices	F _{max}
VIRTEX-4	-12	43	392 MHz
VIRTEX-IIP	-7	43	382 MHz
VIRTEX-II	-5	43	336 MHz
VIRTEX-E	-8	45	185 MHz
VIRTEX	-6	45	138 MHz
SPARTAN-3E	-4	43	153 MHz
SPARTAN-3	-5	43	217 MHz
SPARTAN-IIE	-7	43	178 MHz
SPARTAN-II	-6	45	147 MHz

Core performance in XILINX® device

The main features of each DCD I²C compliant cores have been summarized in the table below. It gives a brief member characteristic, helping you to select the most suitable IP Core for your application.

Design	I ² C specification version	Master operation	Slave operation	CPU interface	Passive device interface	Interrupt generation	Clock synchronization	Arbitration	7-bit addressing	10-bit addressing	Standard mode	Fast mode	Fast Plus mode	High-speed mode	User defined timing	Spike filtering
DI2CM	3.0	✓	-	✓	-	✓	✓	✓	✓	✓	✓	✓	✓	✓	✓	✓
DI2CS	3.0	-	✓	✓	-	✓	✓	-	✓	-	✓	✓	✓	✓	✓	✓
DI2CSB	3.0	-	✓	-	✓	-	-	-	✓	-	✓	✓	✓	✓	-	✓
DI2CMS	3.0	✓	✓	✓	-	✓	✓	✓	✓	✓	✓	✓	✓	✓	✓	✓

I²C cores summary table



CONTACT

For any modification or special request, please contact Digital Core Design or local distributors.

Headquarters:

Wroclawska 94

41-902 Bytom, POLAND

e-mail: : info@dcd.pl

tel. : +48 32 282 82 66

fax : +48 32 282 74 37

Distributors:

Please check: <http://dcd.pl/sales/>